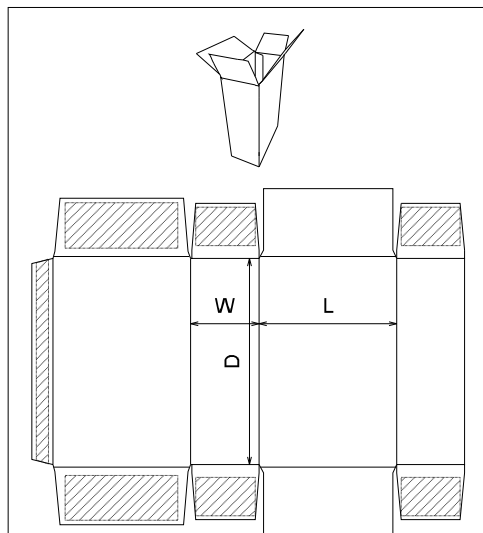
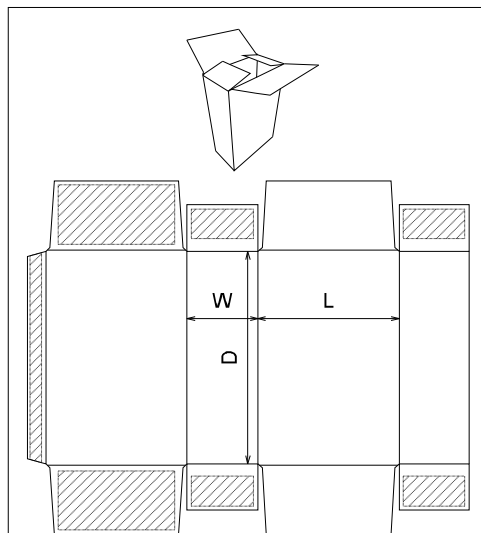


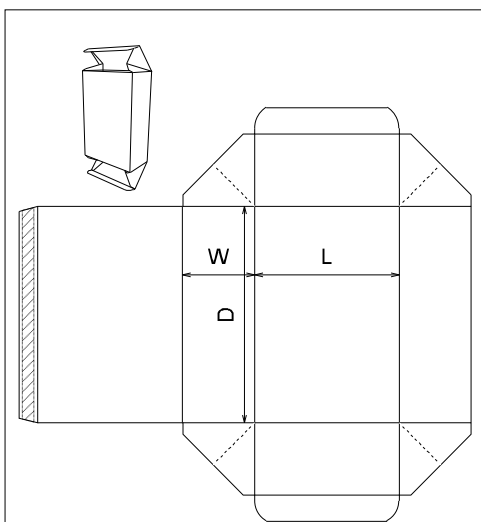
ECMA Folding Carton\Group A\FC0505 -  
Captain End Load Skillet - FC0505 -  
Folding Carton Skillet



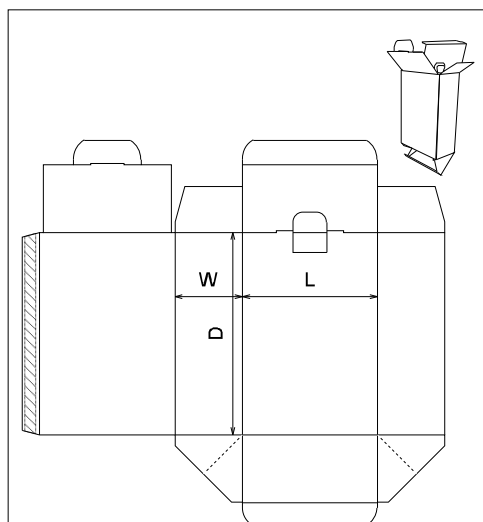
ECMA Folding Carton\Group A\FC0502  
Bradman Lake End Load Skillet -  
FC0502 - Folding Carton Skillet



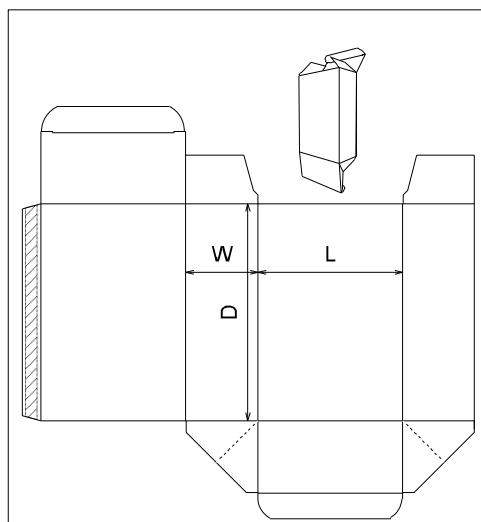
ECMA Folding Carton\Group A\FC0501  
Jacob White End Load Skillet - FC0501 -  
Folding Carton Skillet



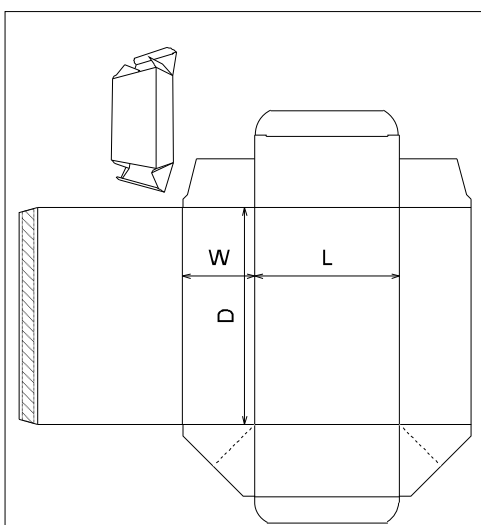
ECMA Folding Carton\Group A\ECMA  
A9999 - FC0205 - Same Panel Webbed  
Tuck



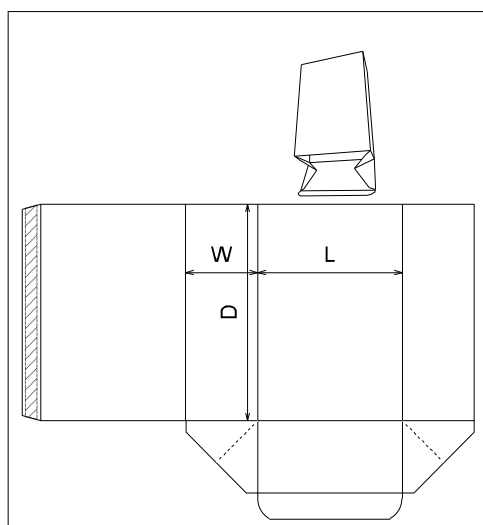
ECMA Folding Carton\Group A\ECMA  
A9998 - FC1204 - Double Tuck Webbed  
Tuck



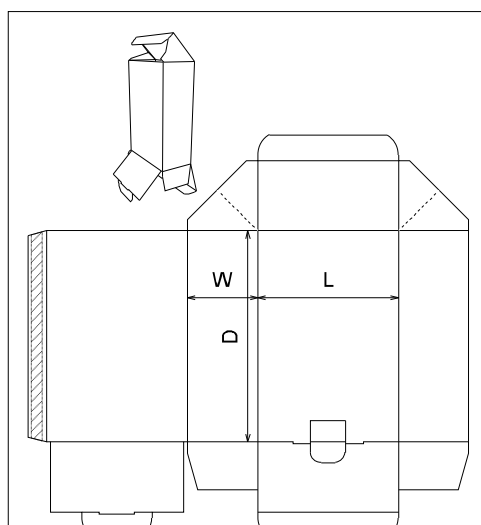
ECMA Folding Carton\Group A\ECMA  
A9920 Style B - FC0219 - Tuck to Front  
Webbed Tuck



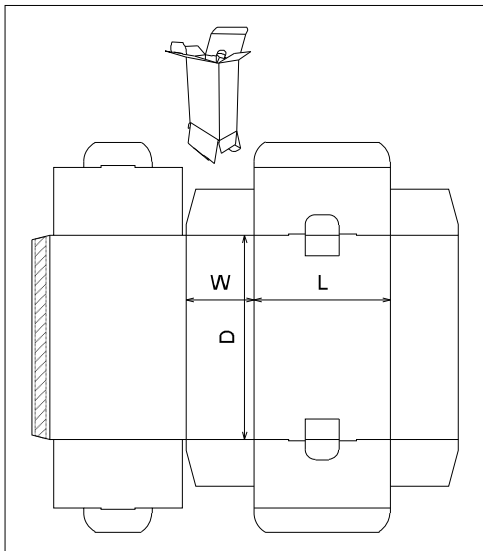
ECMA Folding Carton\Group A\ECMA  
A9920 Style A - FC0218 - Tuck to Back  
Webbed Tuck



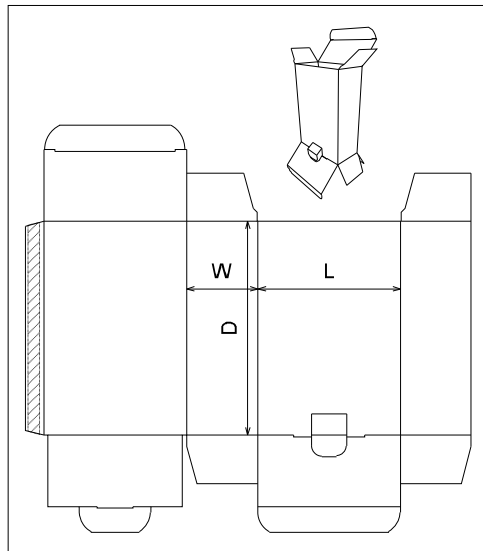
ECMA Folding Carton\Group A\ECMA  
A9901 - FC1201 - Open Top Webbed  
Tuck Base



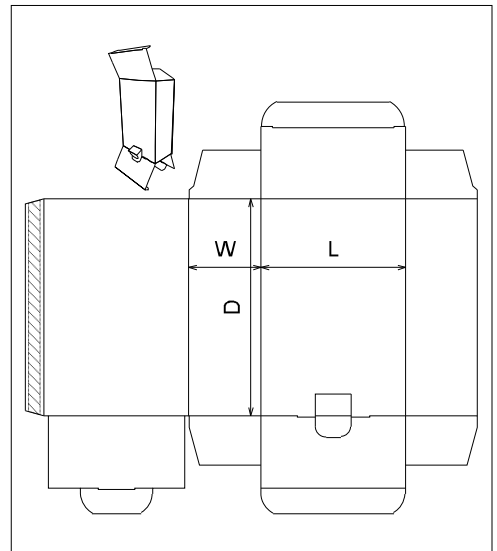
ECMA Folding Carton\Group A\ECMA  
A9899 - FC0224 - Webbed Tuck Double  
Tuck



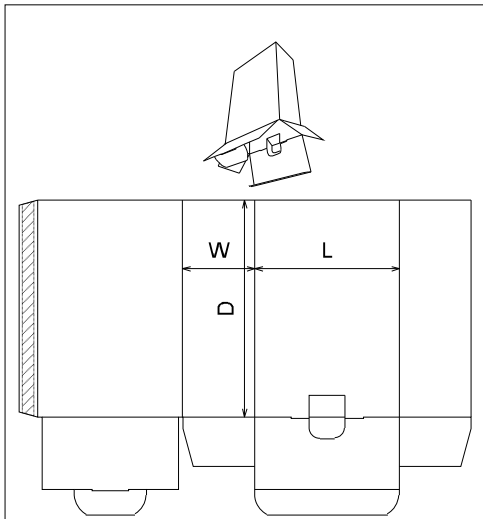
ECMA Folding Carton\Group A\ECMA A9898 - FC0206 - Double Tuck Top and Base



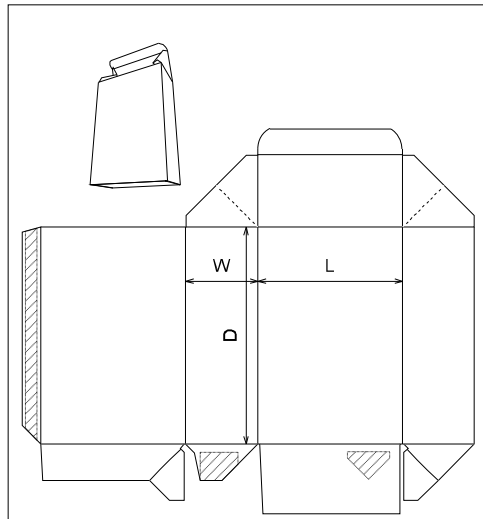
ECMA Folding Carton\Group A\ECMA A9821 - FC0221 - Tuck to Front Double Tuck



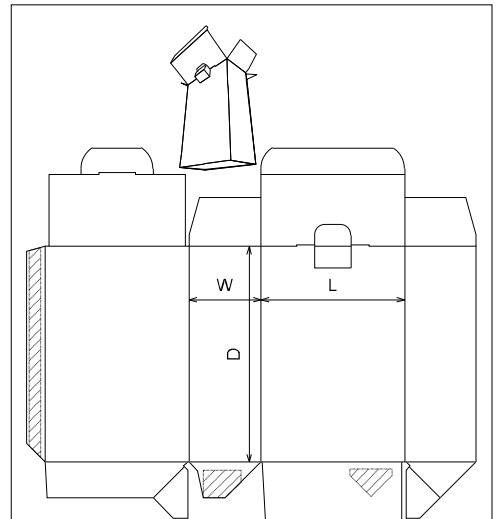
ECMA Folding Carton\Group A\ECMA A9820 - FC0220 - Tuck to Back Double Tuck



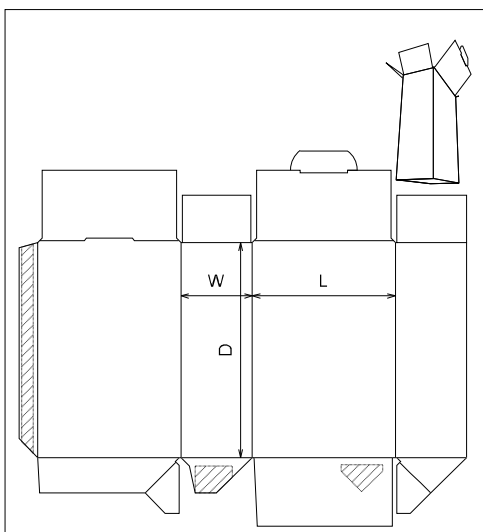
ECMA Folding Carton\Group A\ECMA A9801 - FC1202 - Open Top Double Tuck Base



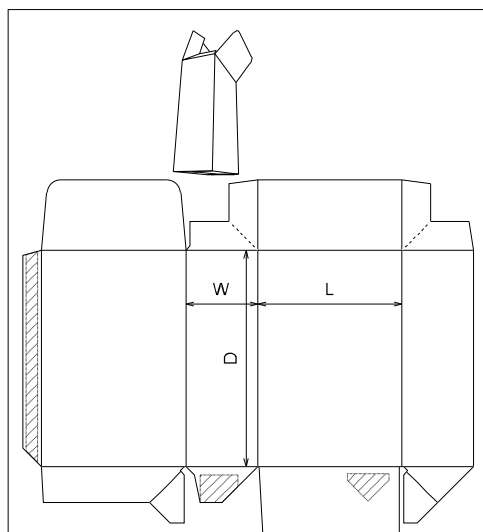
ECMA Folding Carton\Group A\ECMA A6199 - FC0108 - Webbed Tuck Full Crash Lock Base



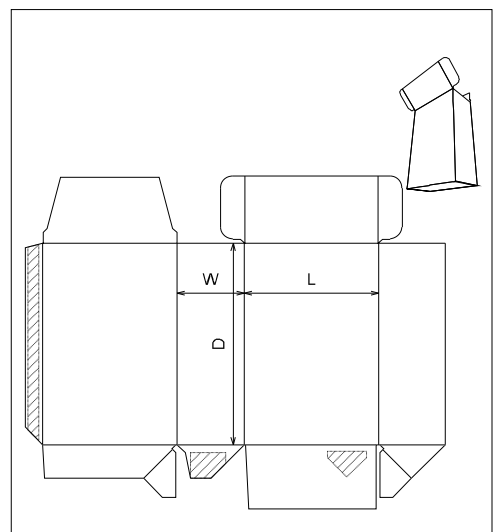
ECMA Folding Carton\Group A\ECMA A6198 - FC0111 - Double Tuck Full Crash Lock Base



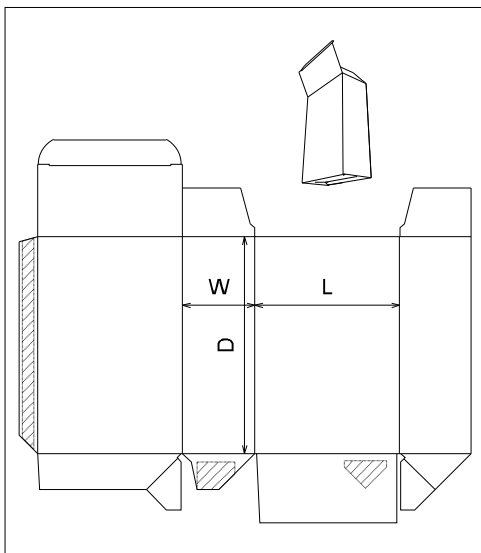
ECMA Folding Carton\Group A\ECMA A6156 - FC0120 - Edge Lock Skillet Full Crash Lock Base



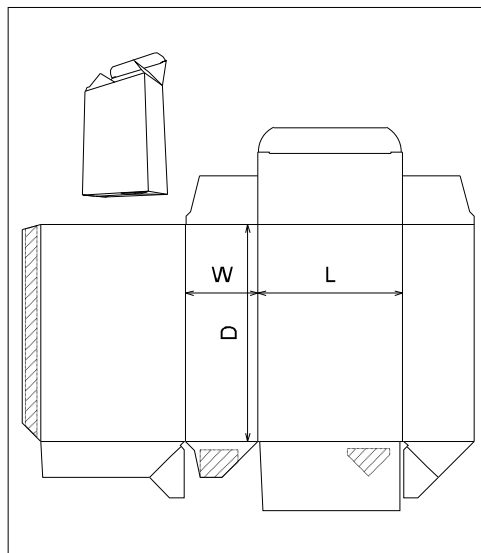
ECMA Folding Carton\Group A\ECMA A6145 - FC0114 - Sieve Proof Full Crash Lock Base



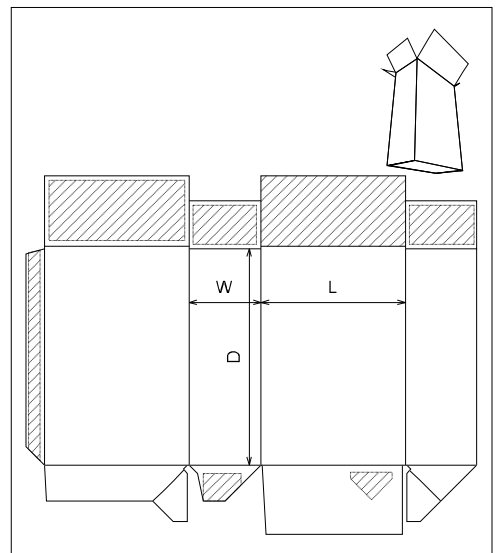
ECMA Folding Carton\Group A\ECMA A6140 - FC0117 - Side Tuck Full Crash Lock Base



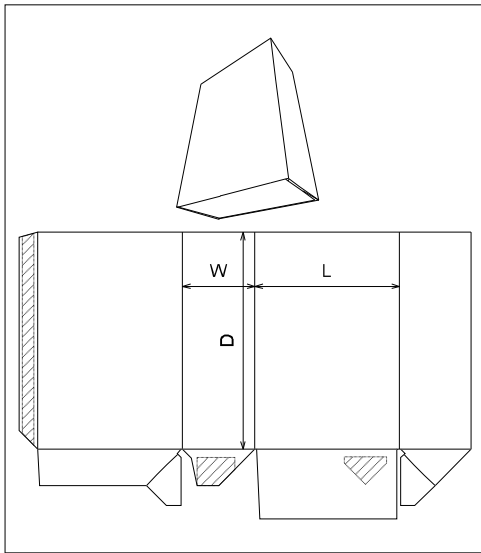
ECMA Folding Carton\Group A\ECMA A6120 Style B - FC0104 - Tuck to Front Full Crash Lock Base



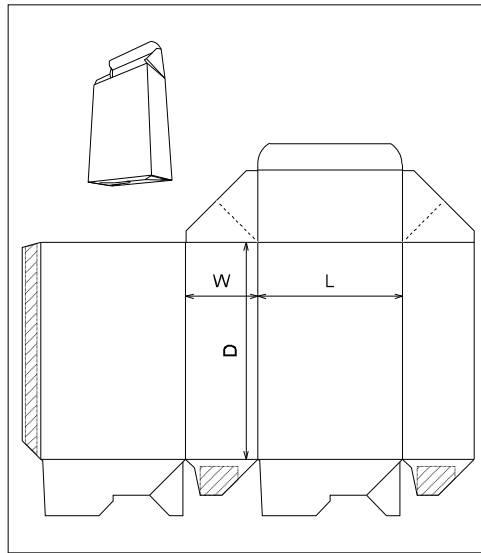
ECMA Folding Carton\Group A\ECMA A6120 Style A - FC0103 - Tuck to Back Full Crash Lock Base



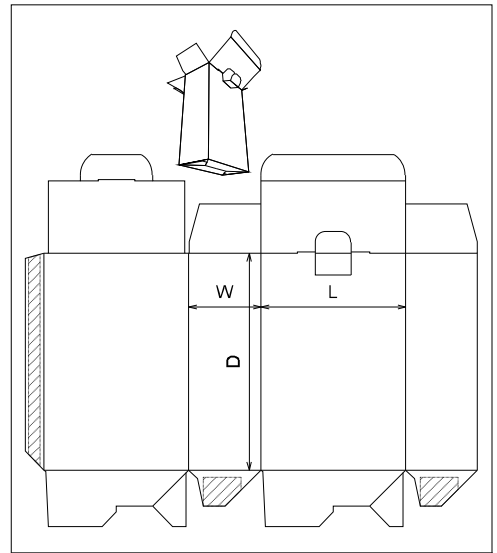
ECMA Folding Carton\Group A\ECMA A6110 - FC0123 - Square Skillet Full Crash Lock Base



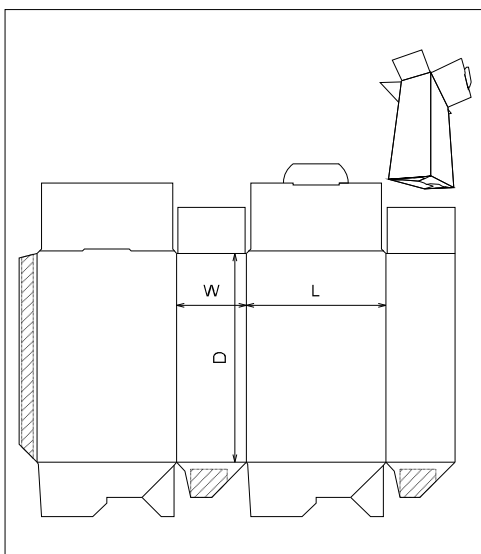
ECMA Folding Carton\Group A\ECMA A6101 - FC0126 - Open Ended Full Crash Lock Base



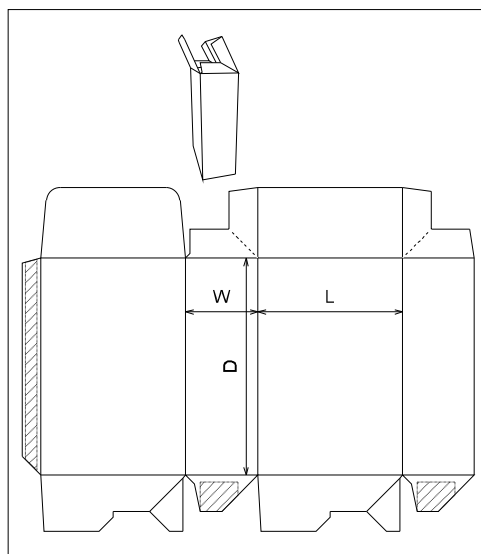
ECMA Folding Carton\Group A\ECMA A6099 - FC0107 - Webbed Tuck Crash Lock Base



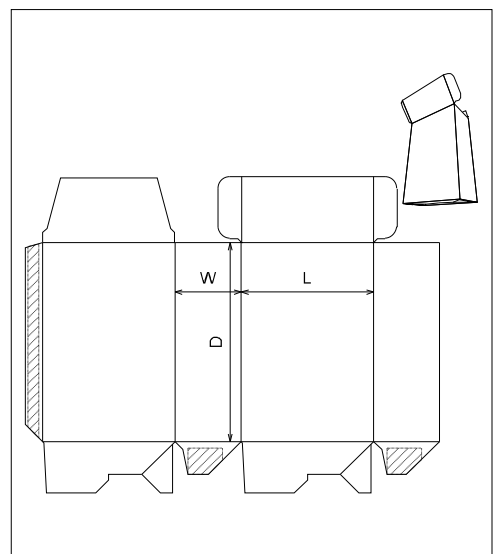
ECMA Folding Carton\Group A\ECMA A6098 - FC0110 - Double Tuck Crash Lock Base



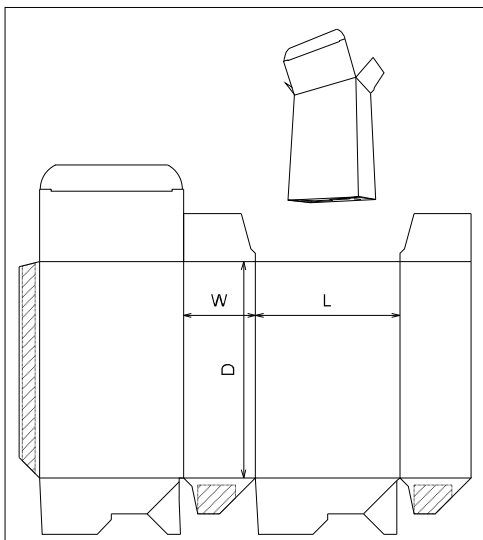
ECMA Folding Carton\Group A\ECMA A6056 - FC0119 - Edge Lock Skillet Crash Lock Base



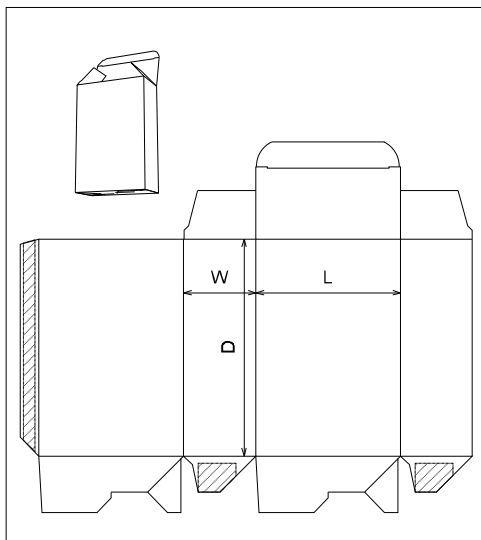
ECMA Folding Carton\Group A\ECMA A6045 - FC0113 - Sieve Proof Crash Lock Base



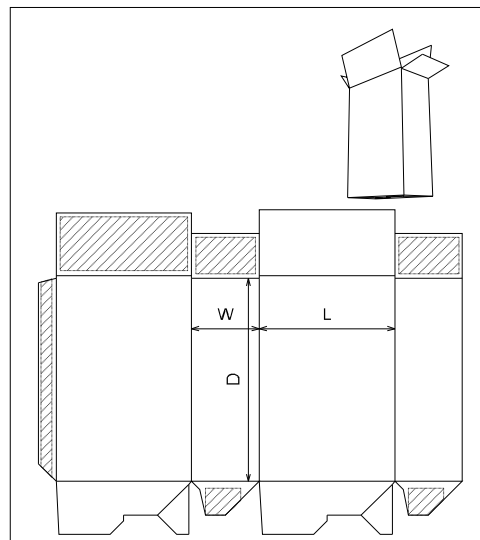
ECMA Folding Carton\Group A\ECMA A6040 - FC0116 - Side Tuck Crash Lock Base



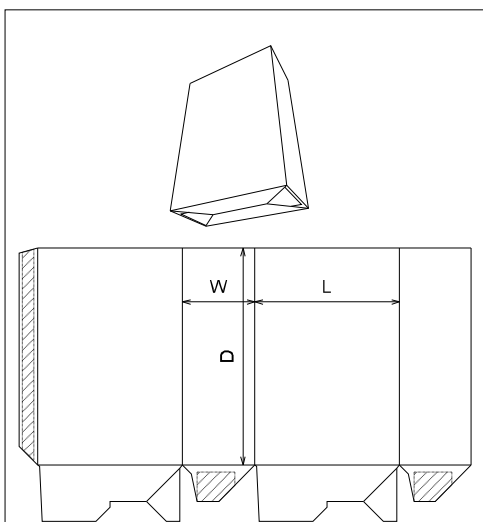
ECMA Folding Carton\Group A\ECMA A6021 - FC0102 - Tuck to Front Crash Lock Base



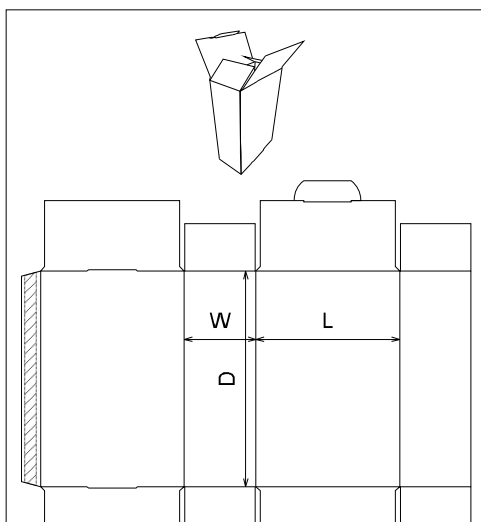
ECMA Folding Carton\Group A\ECMA A6020 - FC0101 - Tuck to Back Crash Lock Base



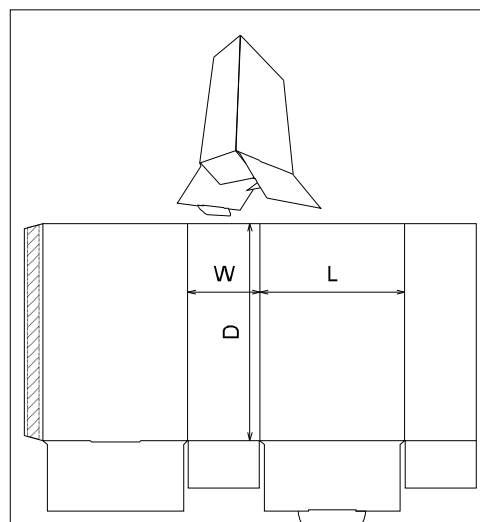
ECMA Folding Carton\Group A\ECMA A6010 - FC0122 - Standard Skilllet Standard Crash Lock Base



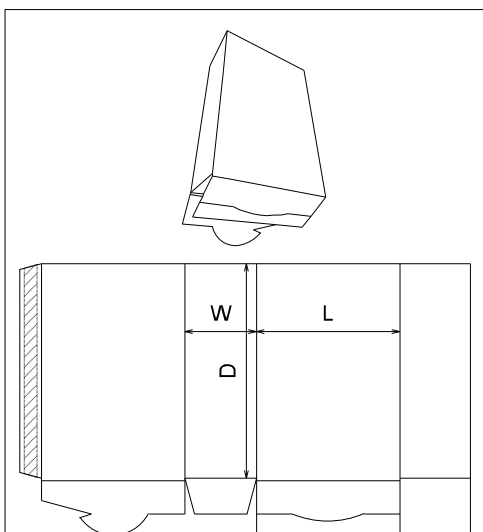
ECMA Folding Carton\Group A\ECMA A6001 - FC0125 - Open Ended Crash Lock Base



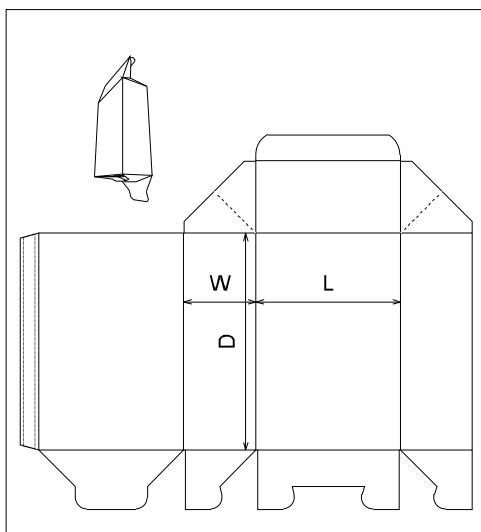
ECMA Folding Carton\Group A\ECMA A5656 - FC0503 - Edge Lock Skilllet



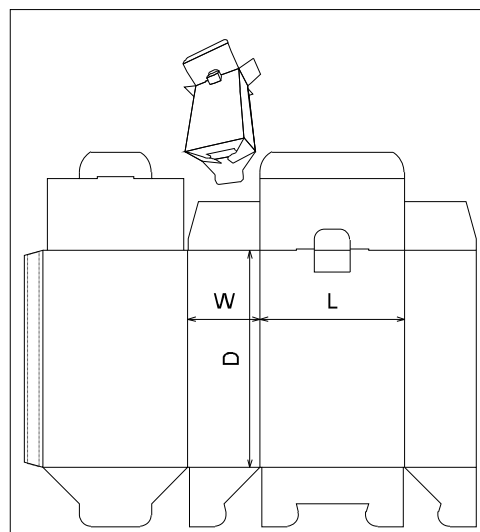
ECMA Folding Carton\Group A\ECMA A5601 Style B - Open Top Edge Lock Skilllet



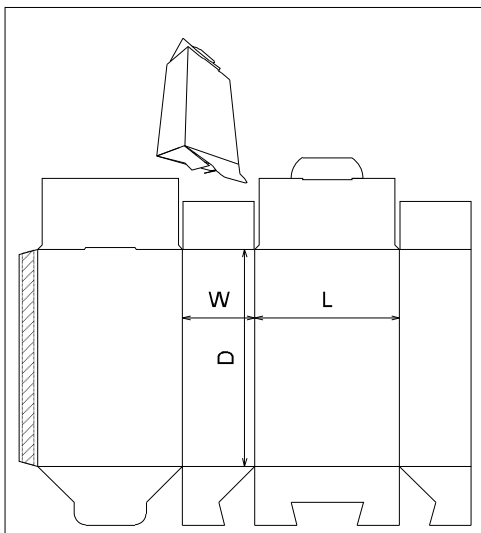
ECMA Folding Carton\Group A\ECMA A5601 Style A - Open Ended Locking Skilllet



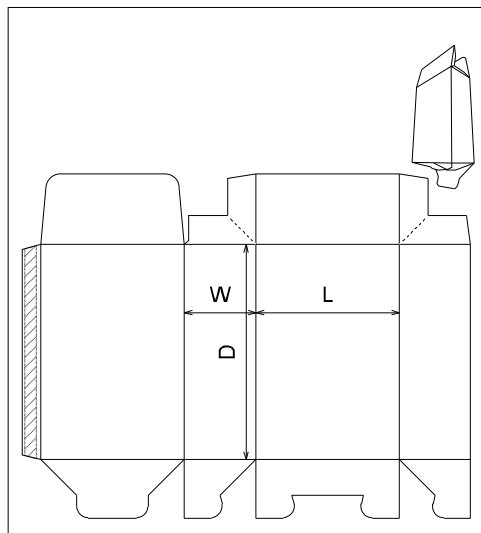
ECMA Folding Carton\Group A\ECMA A5599 - FC0109 - Webbed Tuck Snap Lock Base



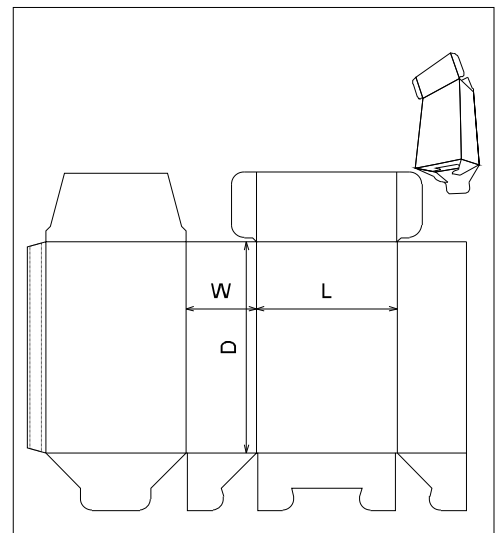
ECMA Folding Carton\Group A\ECMA A5598 - FC0112 - Double Tuck Snap Lock Base



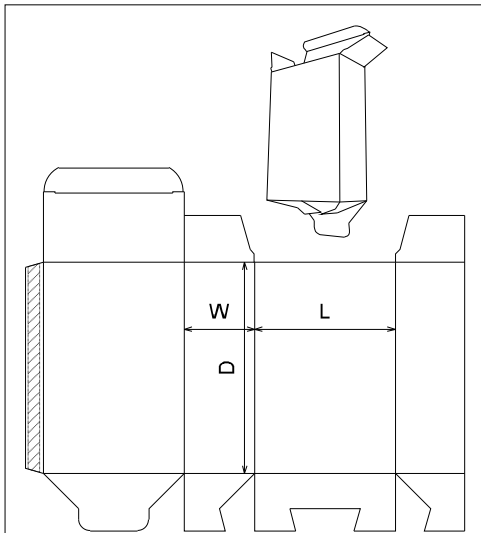
ECMA Folding Carton\Group A\ECMA  
A5556 - FC0121 - Edge Lock Skillet  
Snap Lock Base



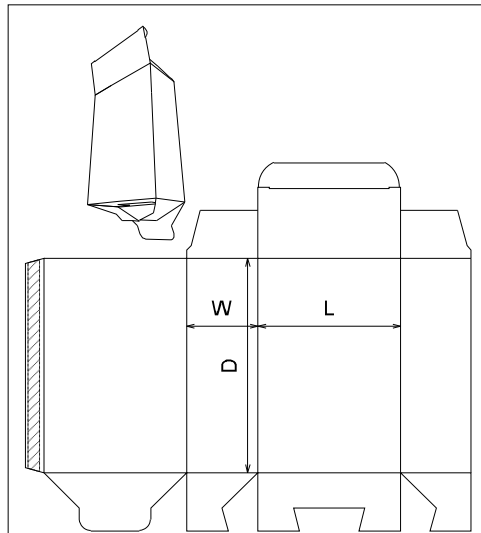
ECMA Folding Carton\Group A\ECMA  
A5545 - FC0115 - Sieve Proof Snap  
Lock Base



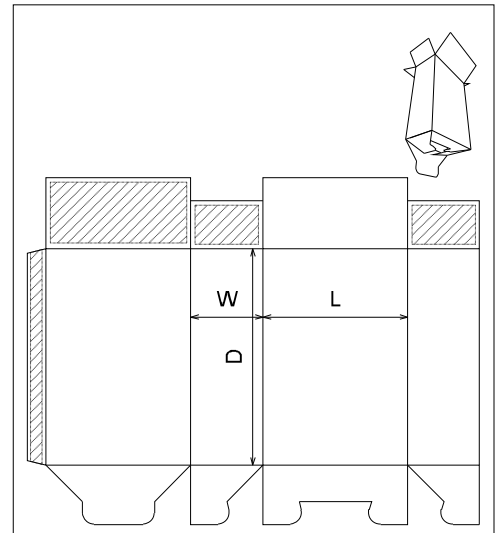
ECMA Folding Carton\Group A\ECMA  
A5540 - FC0118 - Side Tuck Snap Lock  
Base



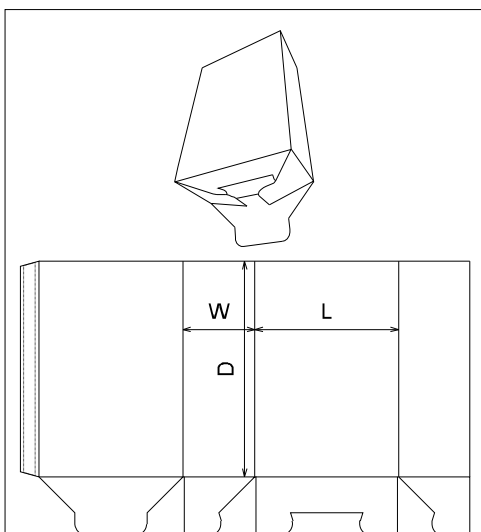
ECMA Folding Carton\Group A\ECMA  
A5520 Style B - FC0106 - Tuck to Front  
Snap Lock Base



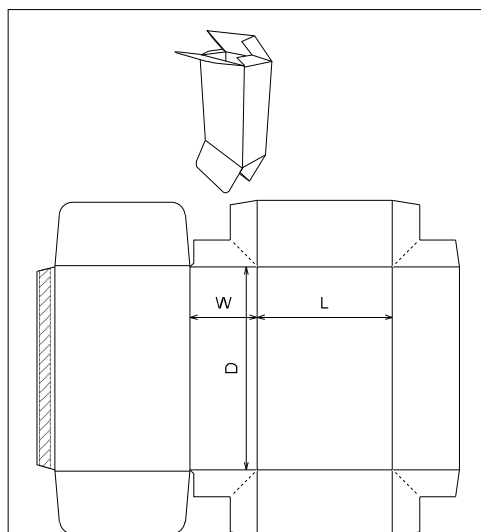
ECMA Folding Carton\Group A\ECMA  
A5520 Style A - FC0105 - Tuck to Back  
Snap Lock Base



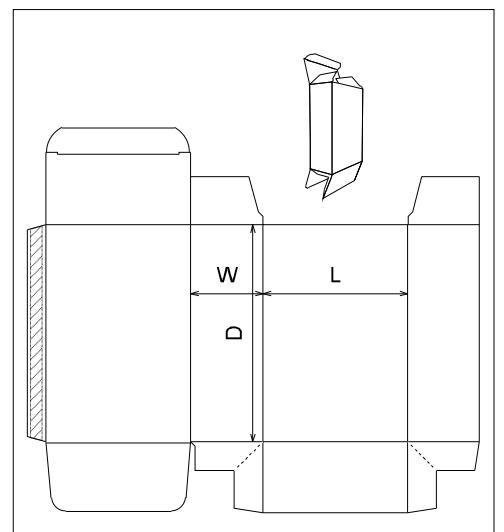
ECMA Folding Carton\Group A\ECMA  
A5510 - FC0124 - Square Flap Skillet  
Snap Lock Base



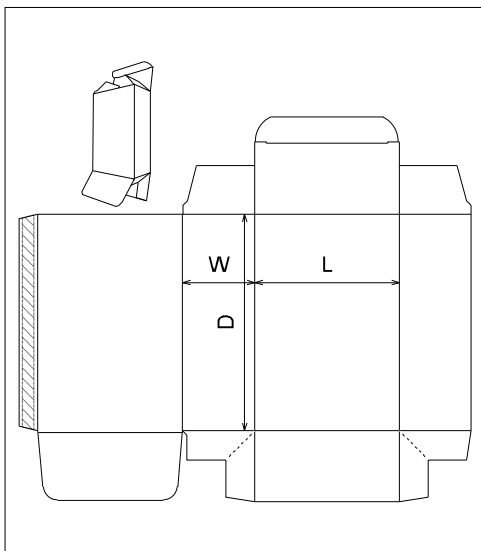
ECMA Folding Carton\Group A\ECMA  
A5501 - FC0127 - Open Ended Snap  
Lock Base



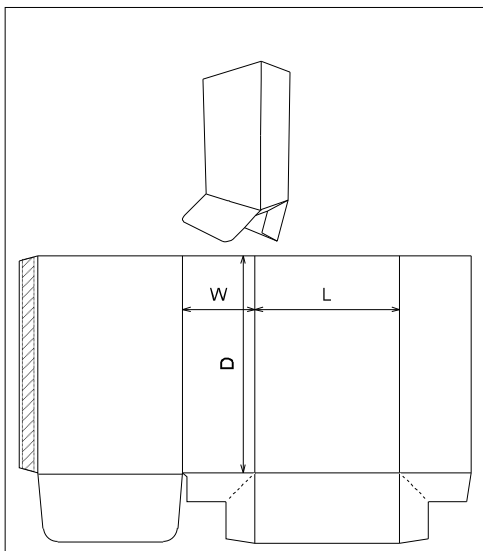
ECMA Folding Carton\Group A\ECMA  
A4545 - FC0207 - Sieve Proof Top and  
Base



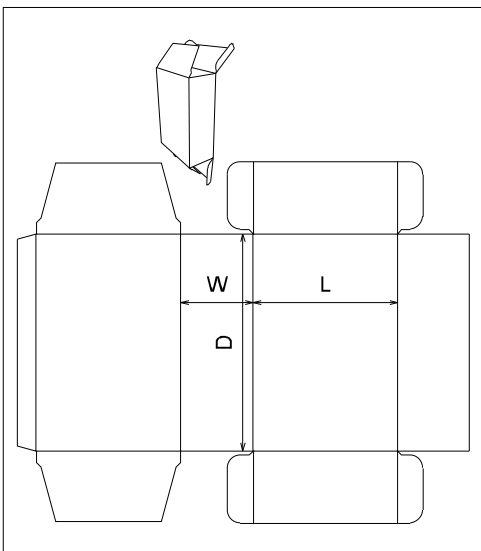
ECMA Folding Carton\Group A\ECMA  
A4520 Style B - FC0215 - Tuck to Front  
Sieve Proof



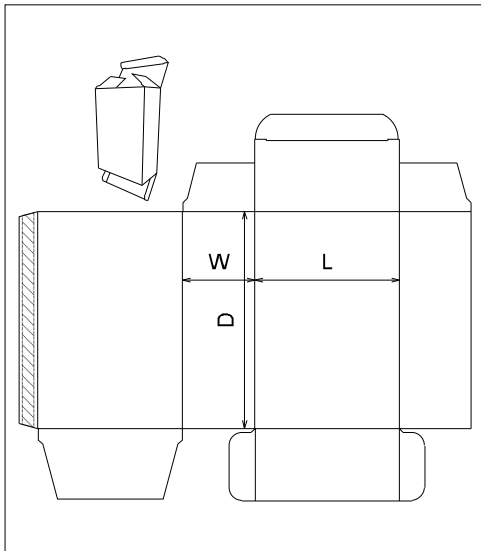
ECMA Folding Carton\Group A\ECMA A4520 Style A - FC0214 - Tuck to Back Sieve Proof



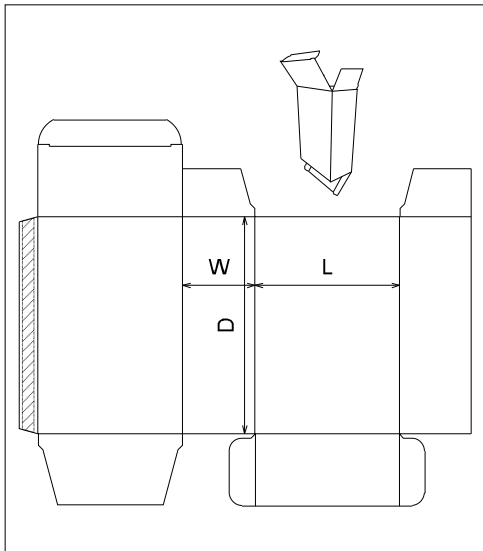
ECMA Folding Carton\Group A\ECMA A4501 - Open Top Sieve Proof Base



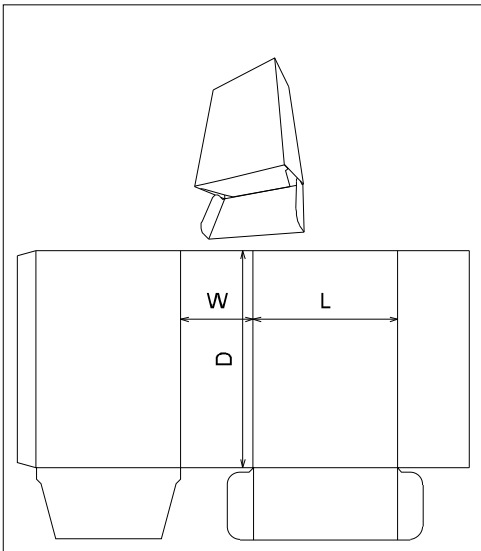
ECMA Folding Carton\Group A\ECMA A4040 - FC0208 - Side Tuck Top and Base



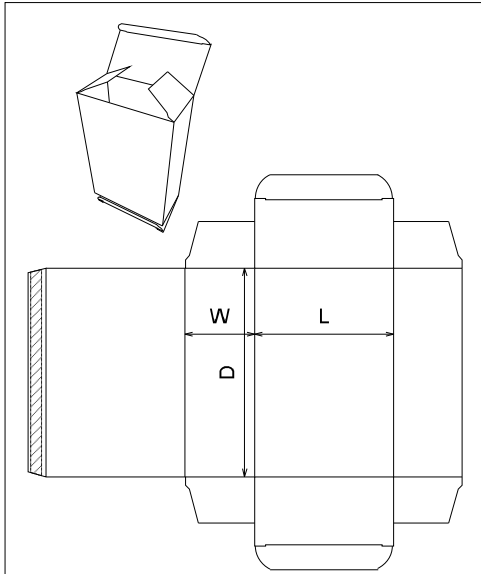
ECMA Folding Carton\Group A\ECMA A4020 Style B - FC0217 - Tuck to Front Side Tuck



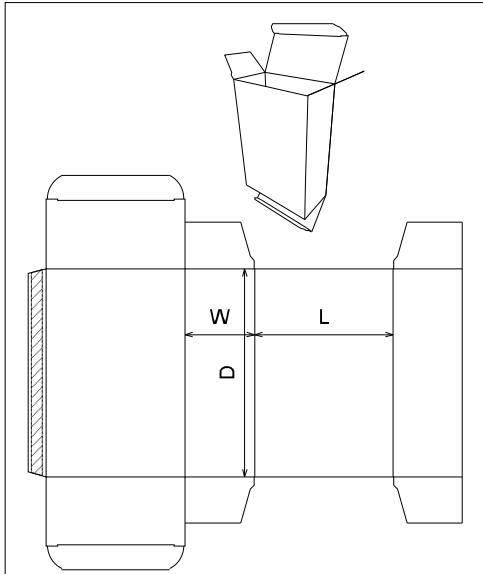
ECMA Folding Carton\Group A\ECMA A4020 Style A - FC0216 - Tuck to Back Side Tuck



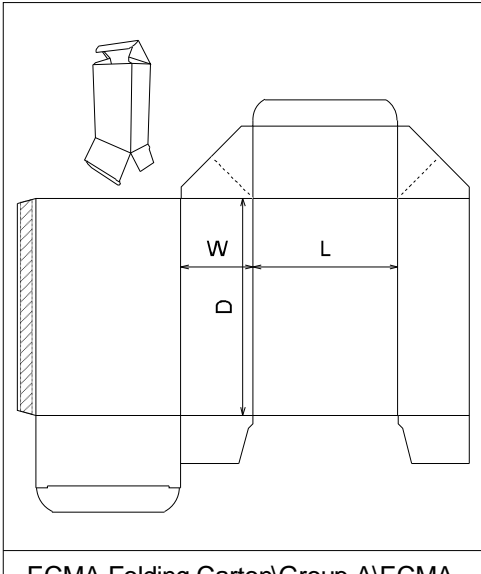
ECMA Folding Carton\Group A\ECMA A4001 - Open Ended Side Tuck



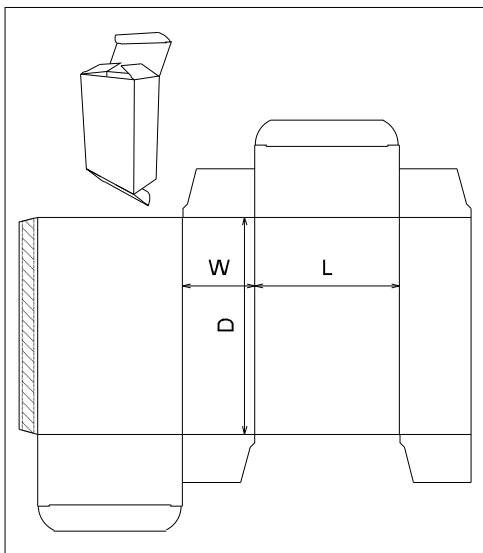
ECMA Folding Carton\Group A\ECMA A2420 - FC0202 - Same Panel Tuck



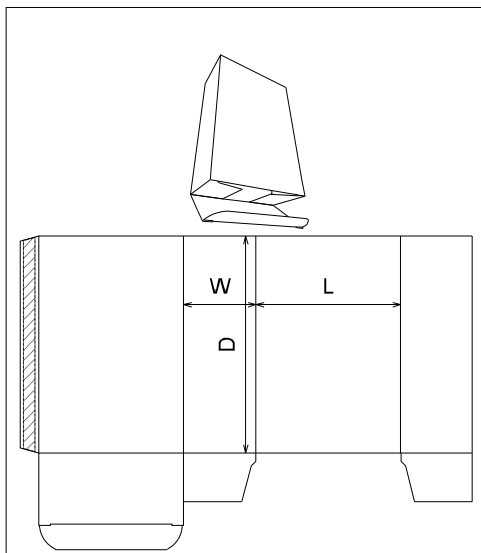
ECMA Folding Carton\Group A\ECMA A2320 - FC0203 - Aerotuck to Back



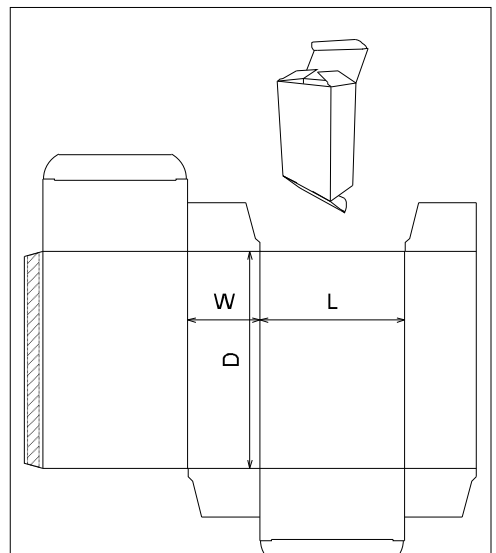
ECMA Folding Carton\Group A\ECMA A2299 - FC0223 - Webbed Tuck Tuck to Front



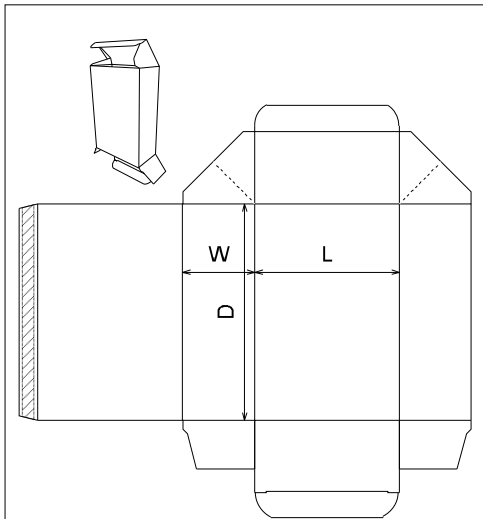
ECMA Folding Carton\Group A\ECMA A2220 - FC0204 - Inverted Reverse Tuck End



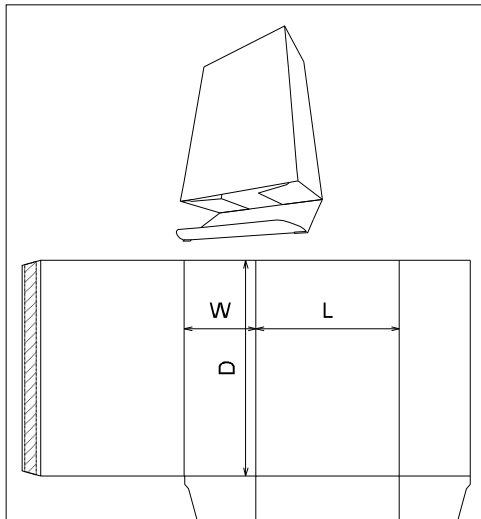
ECMA Folding Carton\Group A\ECMA A2201 - Tuck to Front - Open Top



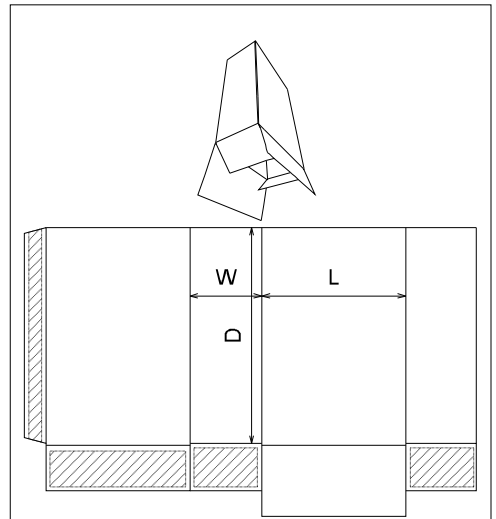
ECMA Folding Carton\Group A\ECMA A2120 - FC0201 - Reverse Tuck End



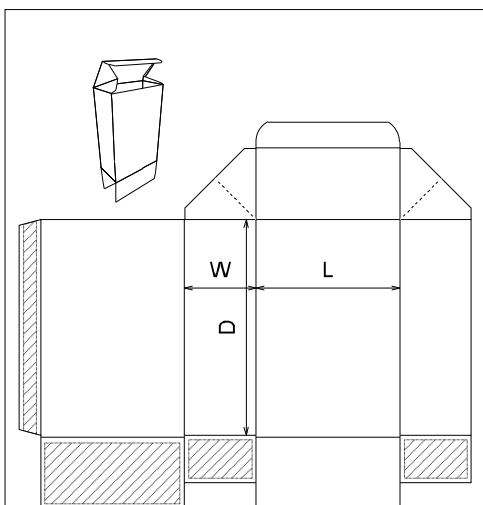
ECMA Folding Carton\Group A\ECMA A2099 - FC0222 - Webbed Tuck Tuck to Back



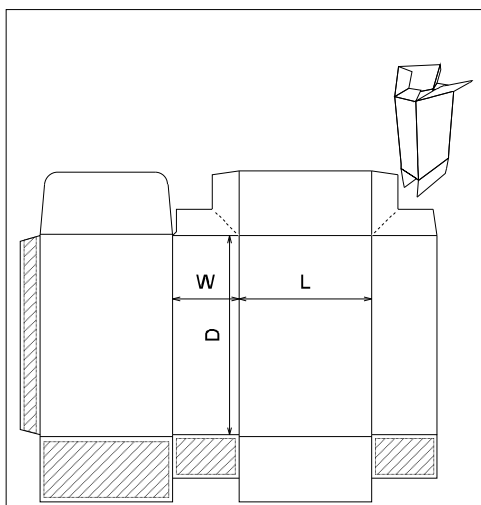
ECMA Folding Carton\Group A\ECMA A2001 - Tuck to Back - Open Top



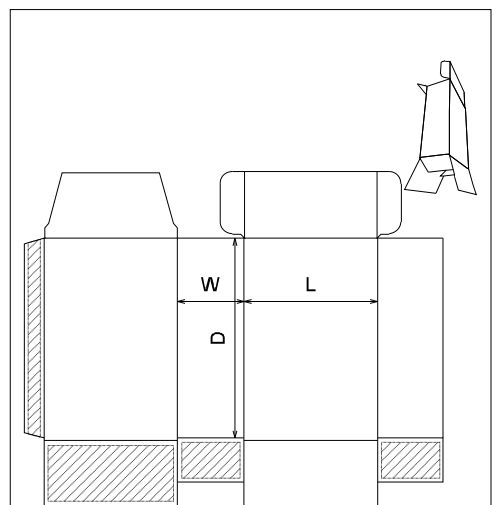
ECMA Folding Carton\Group A\ECMA A1101 - Open Ended Reduced Flap Skillet



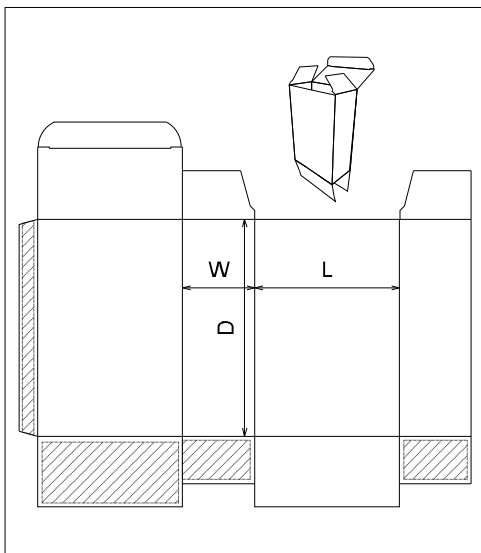
ECMA Folding Carton\Group A\ECMA A1099 - FC1211 - Webbed Tuck Square Flap Skillet



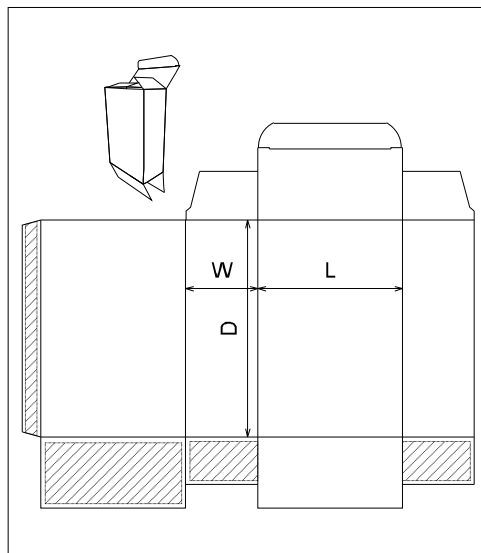
ECMA Folding Carton\Group A\ECMA A1045 - FC0212 - Sieve Proof Square Flap Skillet



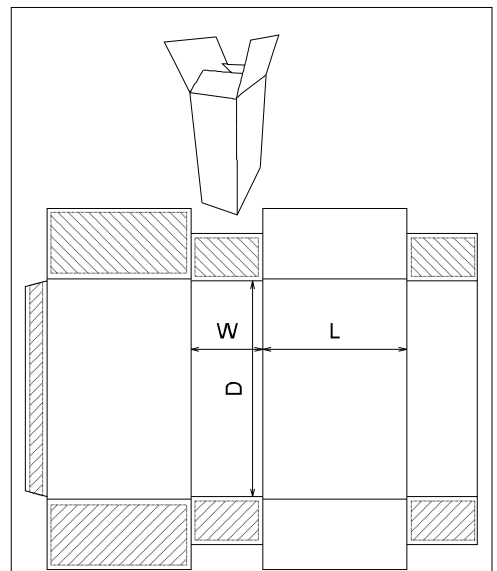
ECMA Folding Carton\Group A\ECMA A1040 - FC0213 - Side Tuck Square Flap Skillet



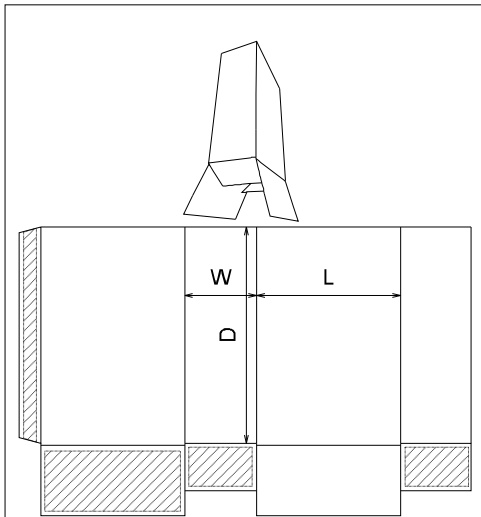
ECMA Folding Carton\Group A\ECMA A1020 Style B - FC0210 - Tuck to Front Standard Skillet



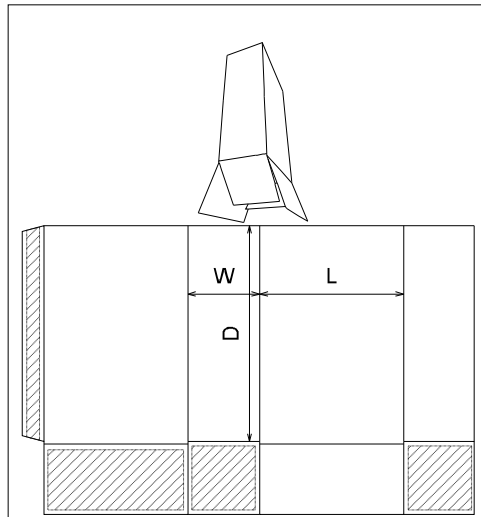
ECMA Folding Carton\Group A\ECMA A1020 Style A - FC0209 - Tuck to Back Standard Skillet



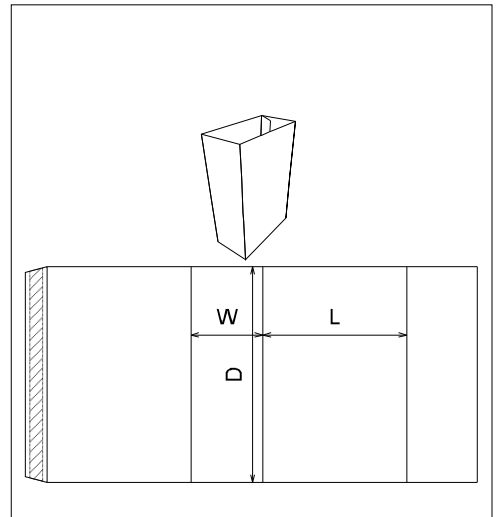
ECMA Folding Carton\Group A\ECMA A1010 - FC0504 - Square Flap Skillet



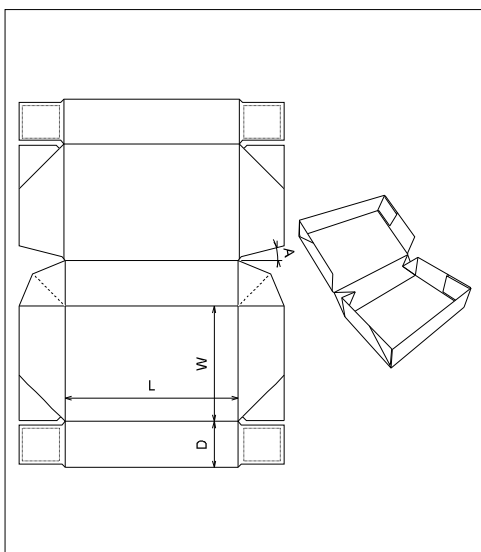
ECMA Folding Carton\Group A\ECMA A1001 Style B - Open Ended Square Flap Skillet



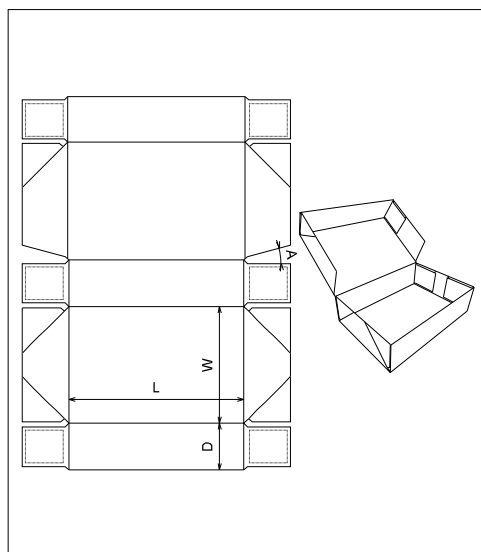
ECMA Folding Carton\Group A\ECMA A1001 Style A - Open Ended Full Overlap Skillet



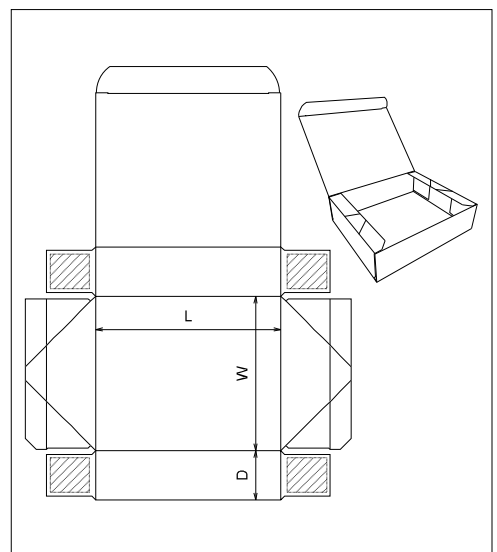
ECMA Folding Carton\Group A\ECMA A0101 - Open Ended Top and Base



ECMA Folding Carton\Group B\ECMA B6121 - FC0309 Four Corner Hinged Lid with Webbed Corners

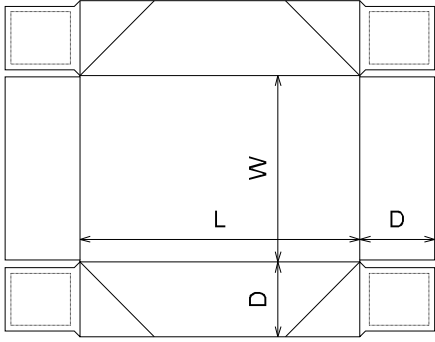
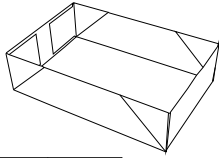


ECMA Folding Carton\Group B\ECMA B6020 - FC0310 6 Corner Glued Tray with Hinged Lid

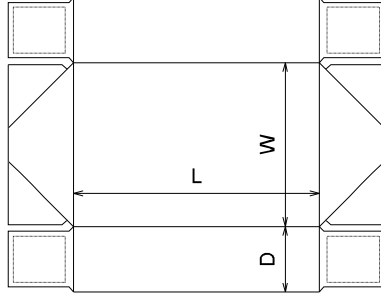
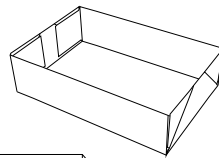


ECMA Folding Carton\Group B\ECMA B4050 - FC0308 - Four Corner Hinged Lid

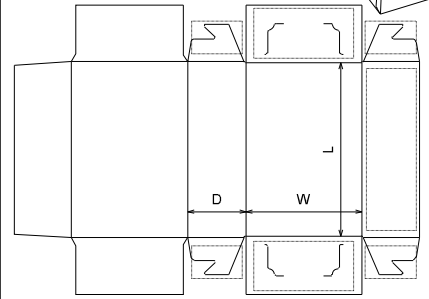
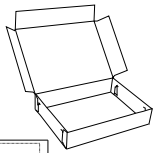




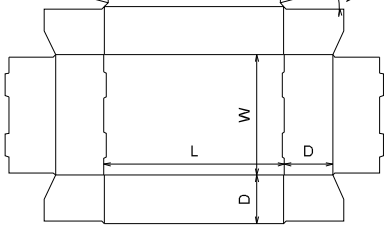
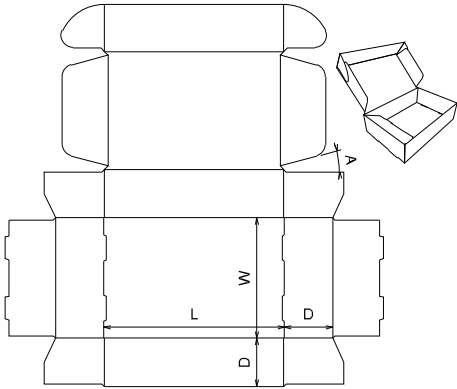
ECMA Folding Carton\Group B\ECMA B4020 Style B - FC0302 - Out-Fold Tray



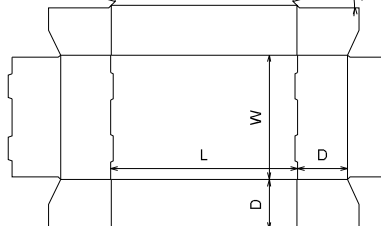
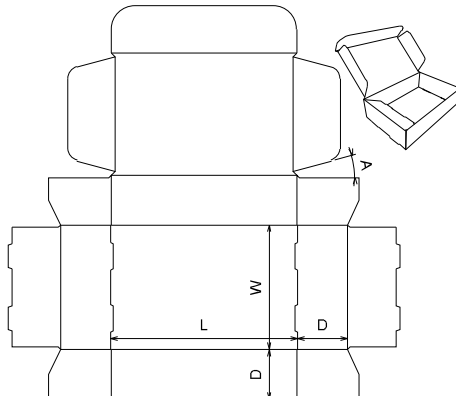
ECMA Folding Carton\Group B\ECMA B4020 Style A - FC0301 In-Fold Tray, 4 Corner Glued



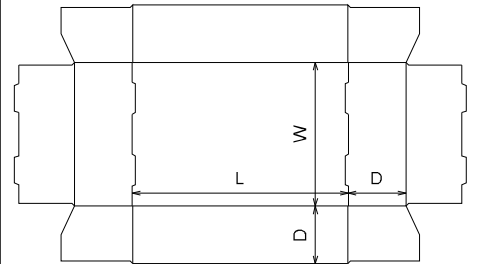
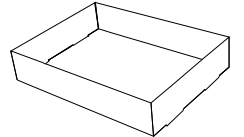
ECMA Folding Carton\Group B\ECMA B3353 - FC0506 Kliklok Top Load Skillet



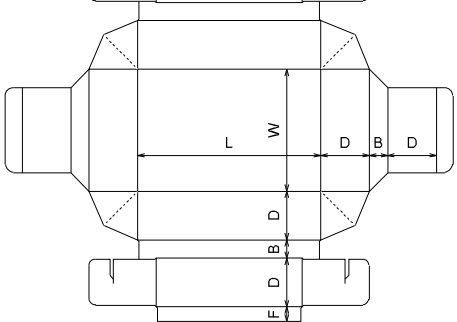
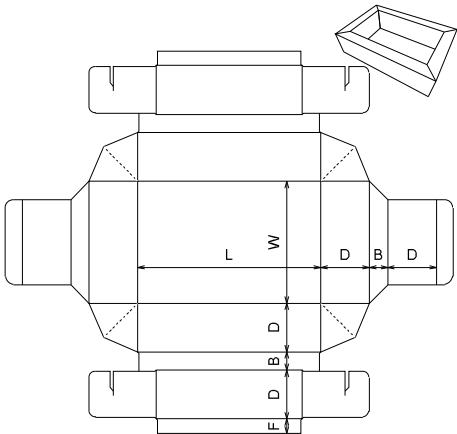
ECMA Folding Carton\Group B\ECMA B2150 Style B - FC0312 - Turn Over Hinged Lid B



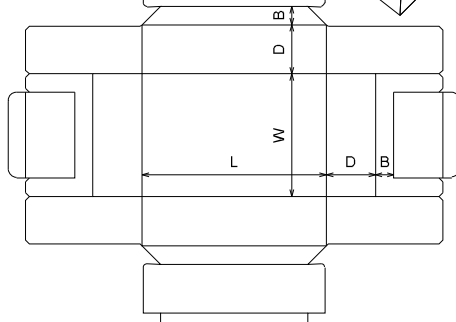
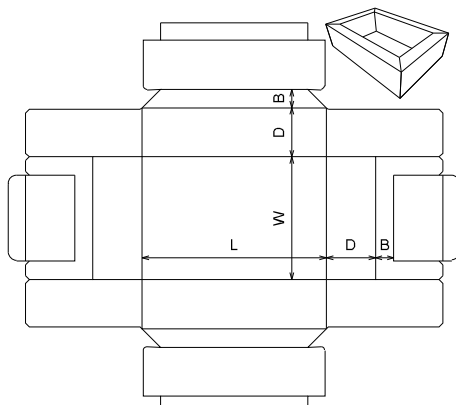
ECMA Folding Carton\Group B\ECMA B2150 Style A - FC0311 - Turn Over Hinged Lid A



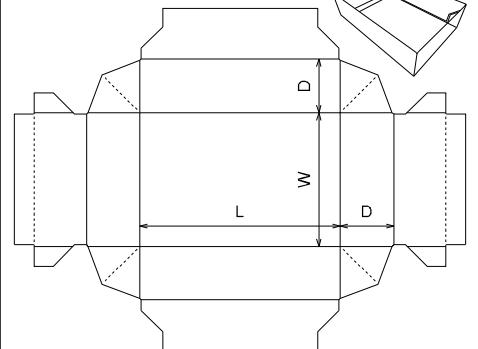
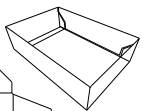
ECMA Folding Carton\Group B\ECMA B2110 - FC0304 - Turn Over End Tray



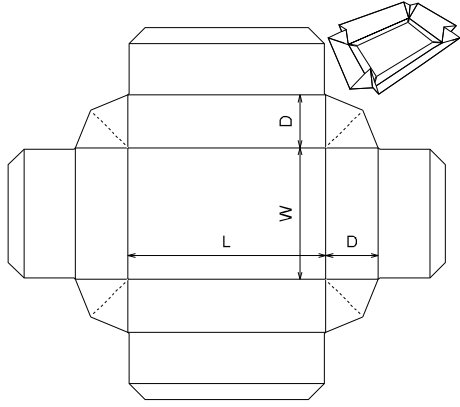
ECMA Folding Carton\Group B\ECMA B1411 - FC0306 - Buffer Wall Tray with Webbed Corners



ECMA Folding Carton\Group B\ECMA B1410 - FC0305 - Buffer Wall Tray

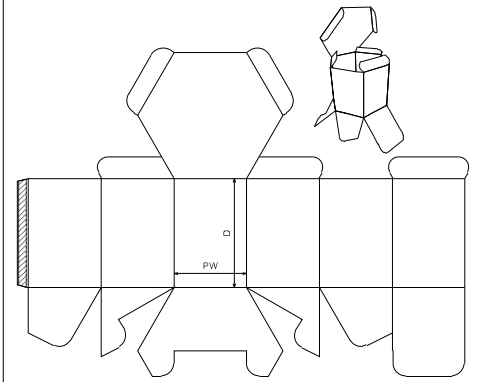


ECMA Folding Carton\Group B\ECMA B1021 - FC0307 - Shirt Box Style

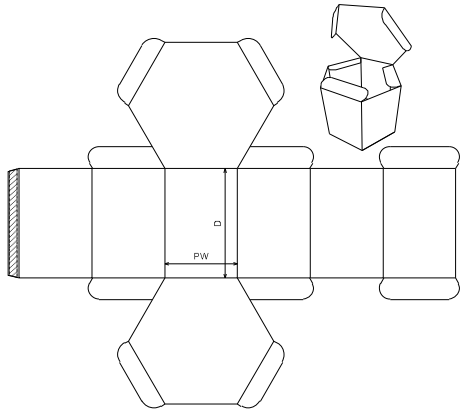


ECMA Folding Carton\Group B\ECMA B1011 - FC0303 - Webbed Self Locking Tray

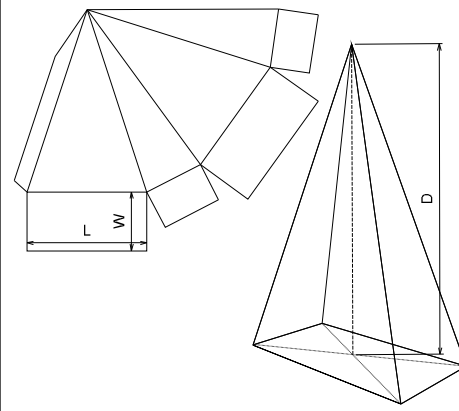
ECMA Folding Carton\Group B\ECMA B1010 - FC0303 - Standard Self Locking Tray



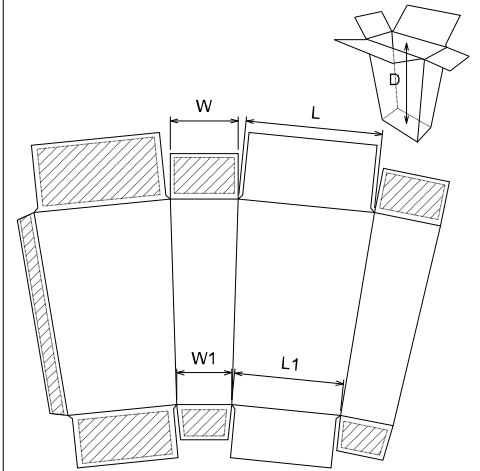
ECMA Folding Carton\Group C\ECMA C4055 - FC0606 - Hexagonal Snap Lock Base



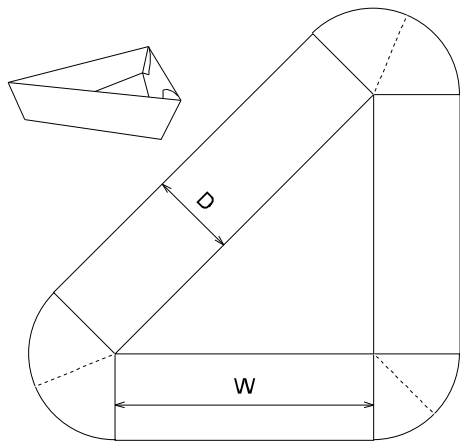
ECMA Folding Carton\Group C\ECMA C4020 - FC0605 - Hexagonal Same Panel Tuck



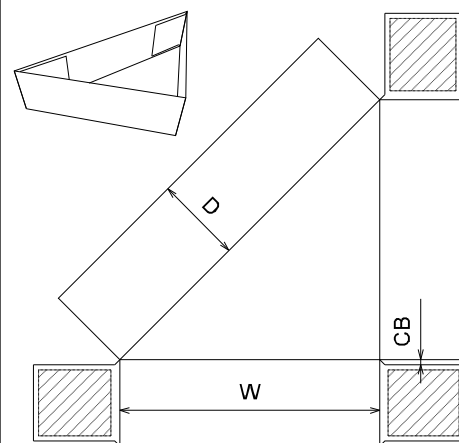
ECMA Folding Carton\Group C\ECMA C2210 - Rectangular Base Pyramid with Square Flaps



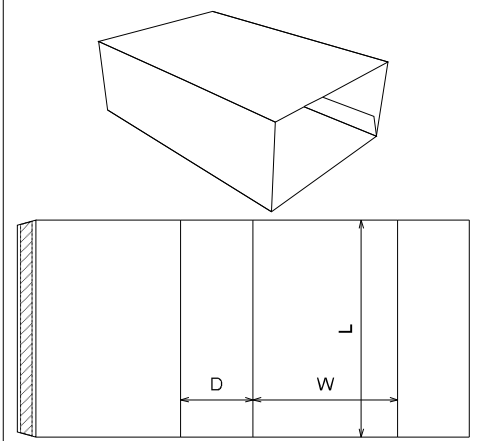
ECMA Folding Carton\Group C\ECMA C2110 - FC0615 - Tapered Skillet Top and Bottom



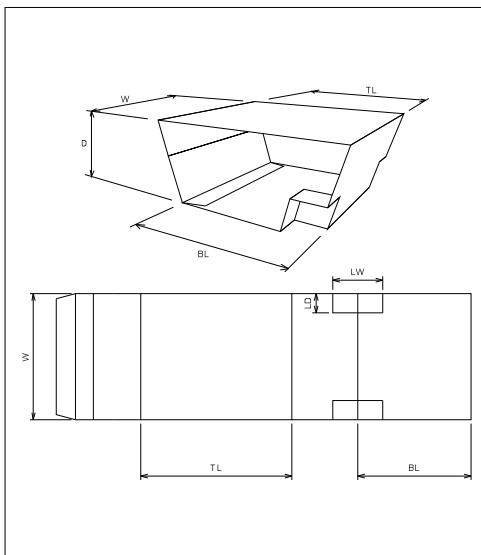
ECMA Folding Carton\Group D\ECMA D1011 - Triangular Single-Walled Carton with Dust-Proof Corners



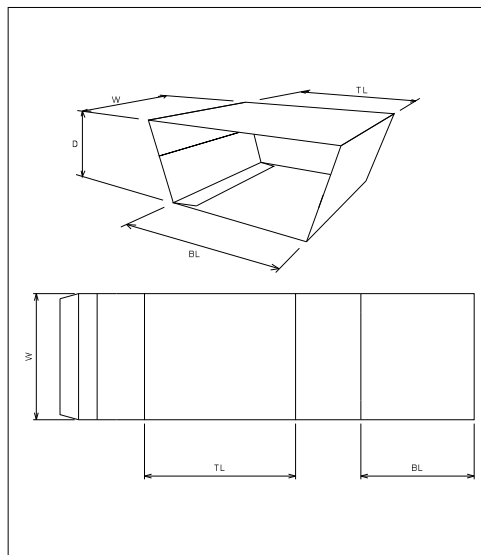
ECMA Folding Carton\Group D\ECMA D1010 - Triangular Single-Walled Carton



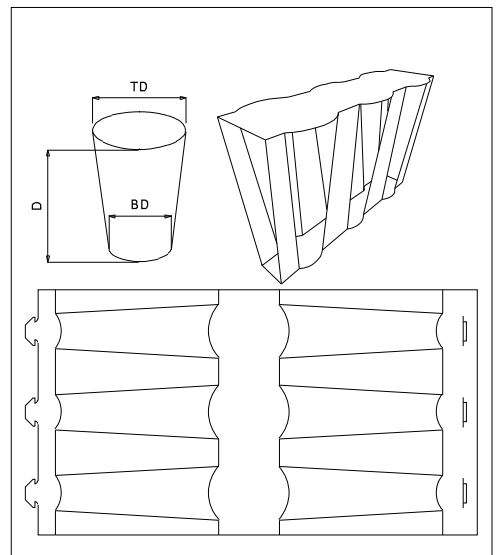
ECMA Folding Carton\Group E\ECMA E3120 Style C - FC0403 - Sleeve With/Without Thumb Cuts



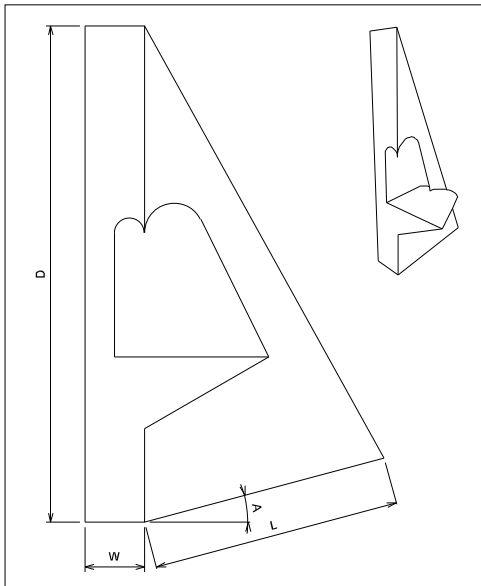
ECMA Folding Carton\Group E\ECMA E3120 Style B - FC0402 - Angled Glued Sleeve



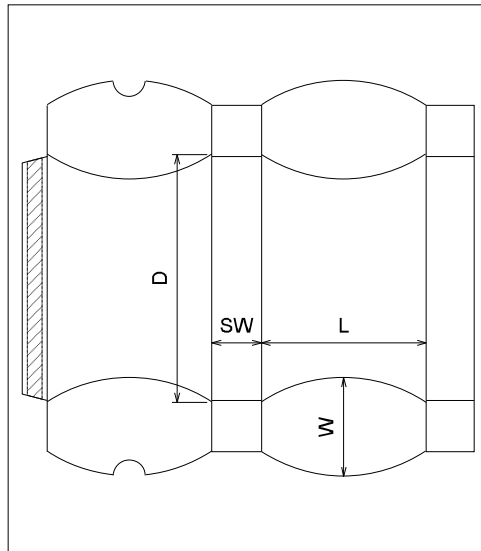
ECMA Folding Carton\Group E\ECMA E3120 Style A - FC0401 - Angled Glued Band



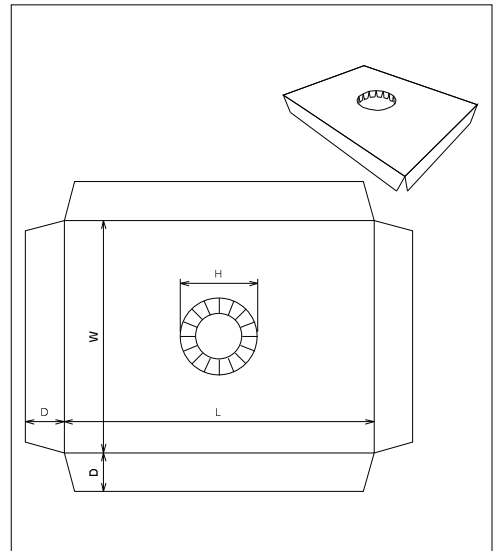
ECMA Folding Carton\Group E\ECMA E1021 - FC0404 - Non-Glued Wrap



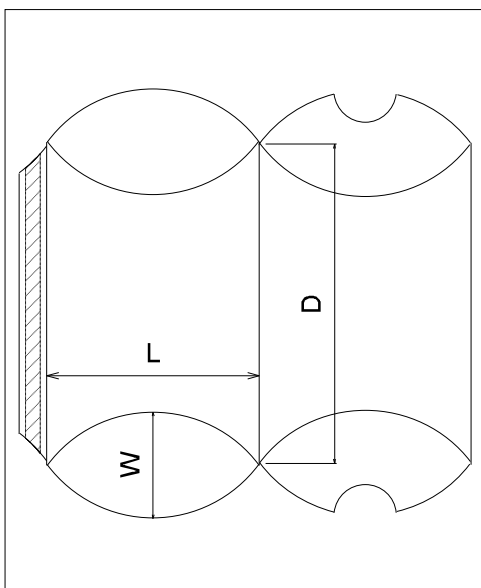
ECMA Folding Carton\Group F\ECMA F8041 - Vertical Support Strut



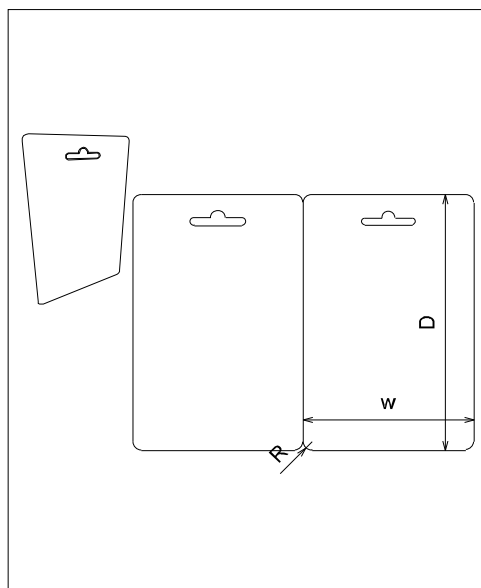
ECMA Folding Carton\Group F\ECMA F7001 Style B - FC0610 - Pillow Pack Side Walls



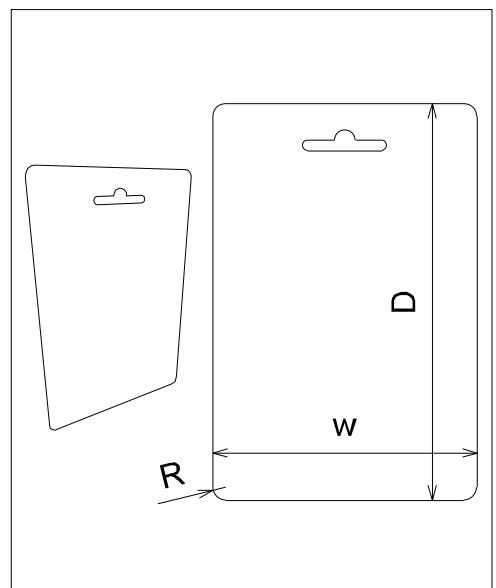
ECMA Folding Carton\Group F\ECMA F8003 - FC0617 - 4 Sided Platform with Centre Hole



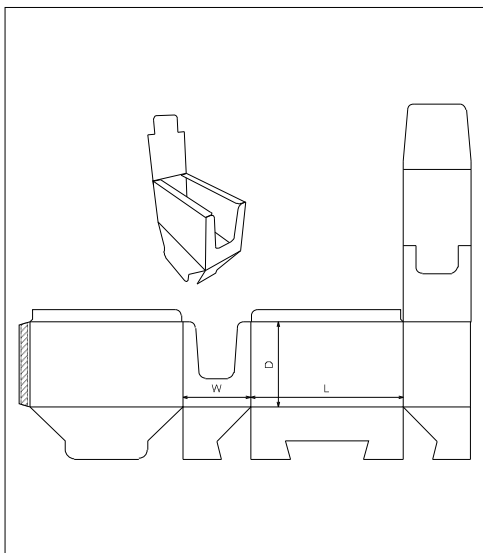
ECMA Folding Carton\Group F\ECMA F7001 Style A - FC0609 - Pillow Pack



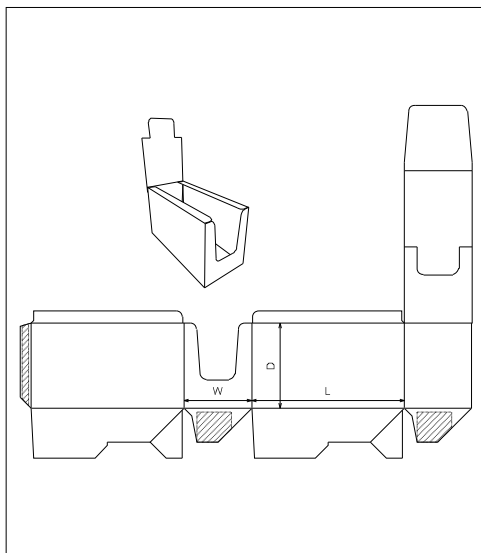
ECMA Folding Carton\Specials\Folding Carton 0619 - FC0619 - Blister Card



ECMA Folding Carton\Specials\Folding Carton 0604 - FC0604 - Blister Card



ECMA Folding Carton\Specials\Folding  
Carton 0603 - FC0603 - Display Outer  
Snap Lock Base



ECMA Folding Carton\Specials\Folding  
Carton 0602 - FC0602 - Display Outer  
Crash Lock Base